

# College

## TYPE

- swivel
- 4-legs

## VERSION

- plastic

## OPTIONS

- w/ writing tablet
- w/ storage basket

### MP11

**Piastra sottoscocca College RAL 7040 + viti\***  
Plate under the shell College RAL 7040 + screws\*

**11.70.187.05G**

### KI01

**Kit base girevole College RAL 7040**  
College swivel kit base RAL 7040

**11.34.001.99G**

Nr.1 RA35

**Base College 4 razze RAL 7040**  
College 4 spokes base RAL 7040

**11.70.186.05G**

Nr.1 CEPC

**Cestello portaoggetti per College RAL 7040**  
Storage basket for (model) College RAL 7040

**11.70.189.02G**

Nr.1 CONF.590 **Kit ruote RAL 7040 + viti per College**  
Castors kit RAL 7040 + screws for College

**17.03.590.99A**



\*Nr.4 viti KPLAST 6x16 zincata bianca  
\*Nr.4 screws KPLAST 6x16 white zinc

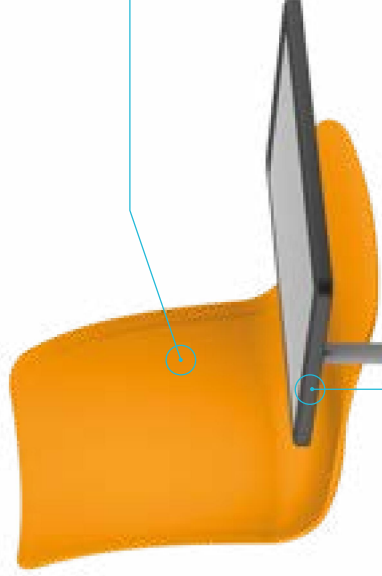


# College

## SH25

Scocca modello College  
Shell model College

11.70.173.02A



## MP11

Piastra sottoscocca College RAL 7040 + viti\*  
Plate under the shell College RAL 7040 + screws\*

11.70.187.05G

## KI02

Kit base girevole College RAL 7040 con tavoletta  
College swivel kit base RAL 7040 w/writing tablet

11.34.002.99G

Nr.1 RA35

Base College 4 razze RAL 7040  
College 4 spokes base RAL 7040

11.70.186.05G

Nr.1 CEPC

Cestello portaoggetti per College RAL 7040  
Storage basket for (model) College RAL 7040

11.70.189.02G

Nr.1 CONF.590

Kit ruote RAL 7040 + viti per College  
Castors kit RAL 7040 + screws for College

17.03.590.99A

Nr.0.5 CONF.594

Nr.2 TL01 Tavoletta in poliuretano  
Nr.2 TL01 Writing tablet in polyurethane

27.03.594.00A

Nr.0.5 CONF.595

Nr.2 MT08 Supporto tavoletta + boccia  
Nr.2 ablet support + bush

27.03.595.00A

Nr.0.5 CONF.596

Nr.2 CV04 Colonna girevole D.50  
Nr.2 CV04 Swivel column D.50

17.03.596.99A

## KI03

Kit base girevole College RAL 7040 con tavoletta TLT3  
College swivel kit base RAL 7040 w/writing tablet TLT3

11.34.003.99G

Nr.1 RA35

Base College 4 razze RAL 7040  
College 4 spokes base RAL 7040

11.70.186.05G

Nr.1 CEPC

Cestello portaoggetti per College RAL 7040  
Storage basket for (model) College RAL 7040

11.70.189.02G

Nr.1 CONF.590

Kit ruote RAL 7040 + viti per College  
Castors kit RAL 7040 + screws for College

17.03.590.99A

Nr.1 TLT3

Tavoletta ambidestra con porta bicchiere  
e porta penna  
Ambidextrous tablet with cup holder  
and pen holder

11.30.923.32N

Nr.0.5 CONF.603

Nr.2 MT10 + Nr.8 viti HILO TPS 4x16  
Nr.2 MT10 + Nr.8 screws HILO TPS 4x16

11.70.603.99A

Nr.0.5 CONF.595

Nr.2 MT08 Supporto tavoletta + boccia  
Nr.2 ablet support + bush

27.03.595.00A

Nr.0.5 CONF.596

Nr.2 CV04 Colonna girevole D.50  
Nr.2 CV04 Swivel column D.50

17.03.596.99A



\*Nr.4 viti KPLAST 6x16 zincata bianca  
\*Nr.4 screws KPLAST 6x16 white zinc



\*Nr.4 viti KPLAST 6x16 zincata bianca  
\*Nr.4 screws KPLAST 6x16 white zinc

# College



**SH25**

Scocca modello College  
Shell model College

**11.70.173.02A**

**MP11**

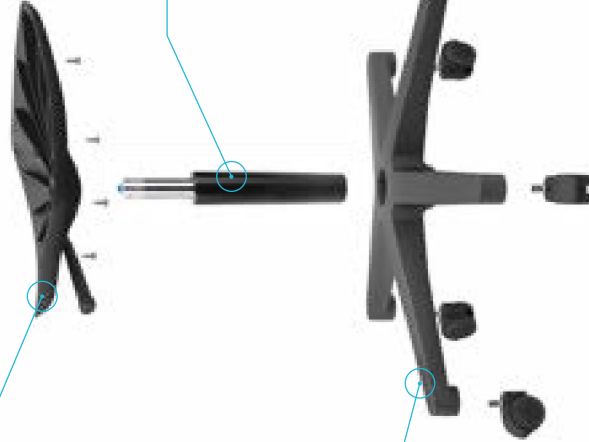
Piastra sottoscocca College nera\*\* + viti\*  
Plate under the shell College black\*\* + screws\*

**11.70.187.05N**

**MP11**

Piastra sottoscocca College nera\*\* + viti\*  
Plate under the shell College black\*\* + screws\*

**11.70.187.05N**



**RA34**

Base Alaska d.640 C.50 P.11 con anello  
Base model Alaska d.640 C.50 P.11 w/ metal ring

**11.70.170.05N**

**MT09**

Supporto tavoletta sedia College per girevole  
Tablet support for (model) College swivel version

**21.70.217.00N**

**PGBSH**

Pompa a gas 28X50X215 C.110  
Gas lift 28X50X215 C.110

**21.30.031.00F**

**DRG**

Ruota Glass Ø50, P.11 - Nr.5  
Castor Ø50 Glass, P.11 - Nr.5

**11.25.307.80N3**



\*Nr.4 viti KPLAST 6x16 zincata bianca  
\*Nr.4 screws KPLAST 6x16 white zinc



Colori Plastiche:  
Plastic colours:

ARANCIO / ORANGE P150U

BLU / BLUE RAL 5014

ROSSO / RED 527



\*Nr.4 viti KPLAST 6x16 zincata bianca  
\*Nr.4 screws KPLAST 6x16 white zinc



Colori Plastiche:  
Plastic colours:

ARANCIO / ORANGE P150U

BLU / BLUE RAL 5014

ROSSO / RED 527

# College

## TLT3

Tavoletta ambidestra con porta bicchiere e porta penna  
Ambidextrous tablet with cup holder and pen holder

11.30.923.32N

## MP11

Plastra sottoscocca College nera\*\* + viti\*  
Plate under the shell College black\*\* + screws\*

11.70.187.05N

## MT09

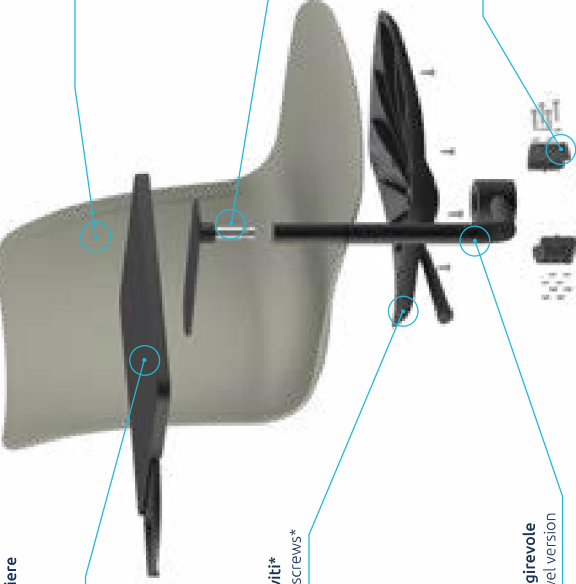
Supporto tavoletta sedia College per girevole  
Tablet support for (model) College swivel version

21.70.217.00N

## RA34

Base Alaska d.640 C.50 P.11 con anello  
Base model Alaska d.640 C.50 P.11 w/ metal ring

11.70.170.05N



SH25  
Scocca modello College  
Shell model College

11.70.173.02A

## CONF.603

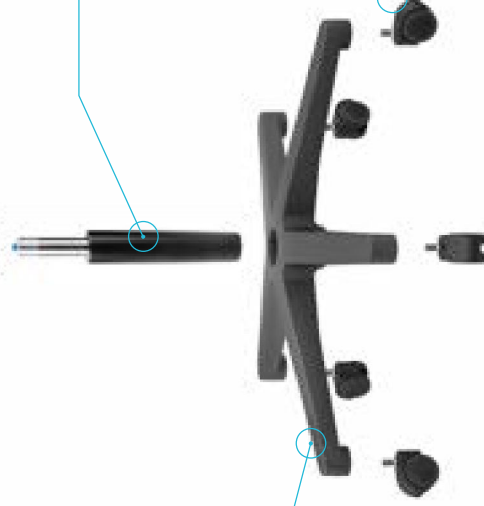
Nr.2 MT10 + Nr.8 viti HILO TPS 4x16  
Nr.2 MT10 + Nr.8 screws HILO TPS 4x16

11.70.603.99A

## CONF.839

Kit: guancette per supporto tavoletta  
Coup-links kit for tablet support

17.01.839.99A



## PGBSH

Pompa a gas 28X50X215 C.120  
Gas lift 28X50X215 C.120

21.30.031.00F

## DRG

Ruota Glass Ø50, P.11 - Nr.5  
Castor Ø50 Glass, P.11 - Nr.5

11.25.307.80N3



\*Nr.4 viti KPLAST 6x16 zincata bianca  
\*Nr.4 screws KPLAST 6x16 white zinc



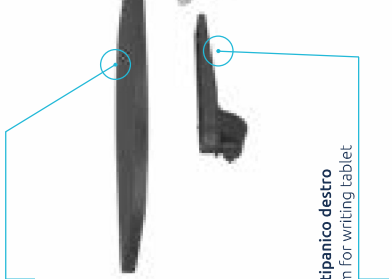
Colori Plastiche:  
Plastic colours:



## TLT2

Tavoletta in termoplastica  
Writing tablet model TLT2

11.20.580.03N



## SPTAD

Snodo tavoletta antipanico destro  
Antipanic mechanism for writing tablet

11.30.065.05N

## AF35D

Coppia braccioli Lux per  
tavoletta destra + viti fornite\*\*  
Pair of armrests model Lux  
for right writing tablet + provided screws\*\*

11.70.184.02A



\*Nr.6 viti KPLAST 6x16 zincata bianca  
\*Nr.6 screws KPLAST 6x16 white zinc

\*\*Nr.4 viti HILO TBEL CH5 8X25 8.8 zincata bianca  
\*\*Nr.4 screws HILO TBEL CH5 8X25 8.8 white zinc



Colori Plastiche:  
Plastic colours:

